

**UNDERMOUNT
REVEAL & INSTALLATION
MANUAL**

BOCCHI

⚠ Important

If installing your sink in a granite, marble, wood, or solid surface worktop, a professional fabricator must cut the opening for you.

Due to slight variations in ceramic sink dimensions, these instructions should be used as general guidelines only.

Position the sink based on the alignment of the sink edges with cabinet sides, supports, and the tap location. Ensure existing plumbing fixtures are long enough to reach the sink in its new position.

If uncertain about fitting your sink, we advise consulting a professional installer. Bocchi will not be held responsible for any mistakes in countertop preparation or installation.

For full use of accessories, choose Inset or Semi-Reveal installations. Inset supports all accessories, while Semi-Reveal accommodates the cutting board and colander. Undermount only supports bottom grids for a minimalist look.

Preparation

1. Take great care when handling this sink. Although every effort has been made to remove sharp edges, the material may still be sharp. We recommend wearing gloves. DO NOT lift the product by the waste hole(s) or tap hole(s). We recommend two people should handle this product.
2. Check the package for completeness, possible defects, or any transport damage before installation begins. A faulty product installed will not be covered by the warranty.
3. Ensure that the supporting carcass and worktop are level from left to right and front to back to ensure correct drainage of water.
4. Verify that the surrounding furniture is the correct size and shape to accept this product and that no plumbing or wiring will obstruct the installation.
5. If replacing an existing sink, remove this product and clean the surrounding area. Ensure the new sink will fit the existing cut-out size and position; otherwise, amend the cut-out size accordingly.
6. Before creating the cut-out in the worktop, carefully plan the positioning of the sink. Ensure that the position of the bowl(s), tap, and overflows will not interfere with surrounding units or appliances.
7. Carefully mark out the cut-out using the provided technical drawing or template for either the undermount installation or inset installation. Create the sink cut-out in the worktop using a router or CNC cutter, following the manufacturer's instructions while taking care not to chip, crack, or scratch the worktop. If preparing the cut-out in situ, cover any open pipework to avoid debris contaminating the water supply feeds.
8. All ceramic products should be supported under the reverse face with a substantial braced shelf. The shelf should be designed to allow for small adjustments in height at each corner and so that it could be disassembled from the underside in the event that the sink is accidentally damaged.

Parts and Contents

Key	Description	Quantity
a.	Sink (may differ from model shown)	1
b.	Overflow pipework	1
c.	Care instructions and or template	1
n/a.	Basket strainer waste(s)	dependant on model
n/a.	Connecting pipework	dependant on model

You will need:

Electric saw with jigsaw fitment or a router
Translucent silicone sealant

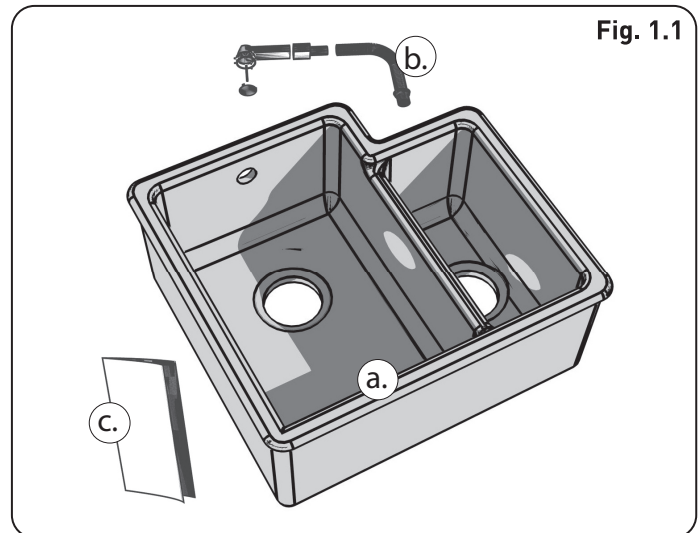


Fig. 1.1

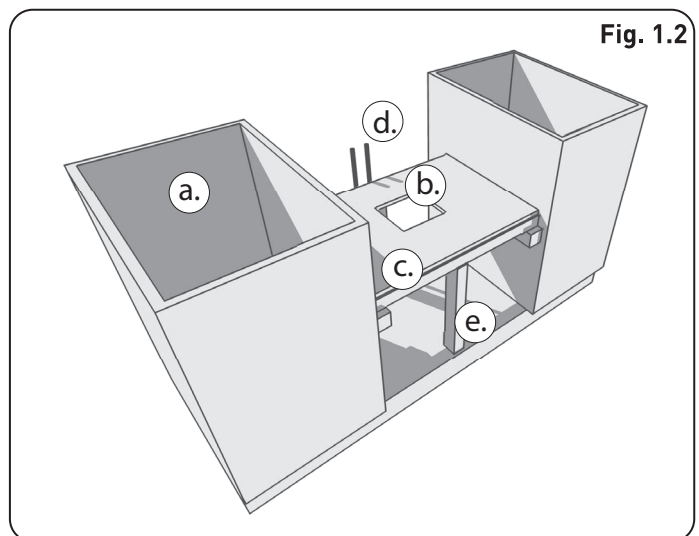


Fig. 1.2

Key	Description
a.	Surrounding cupboards or end panels
b.	Hole for waste connections (min recommended dia. 150mm for each waste, centred to waste)
c.	Supporting shelf (moisture resistant timber or similar, ensure framework sits directly under the product)
d.	Incoming hot and cold supply pipes
e.	Supporting uprights (front & back)

Installation

IMPORTANT: Because ceramic products have larger dimensional tolerances, we strongly recommend making the cut-out in a scrap piece of material first, then checking it against the actual sink to be installed. Adjust the cut-out size to match the sink tolerances and retest against the intended product before cutting the final worksurface. The 'nominal' suggested cut-out size will align the cut-out edge with the bowl edge radius. You can adjust the offset from the bowl to overhang or be set back based on personal preference, but this may affect installation or the proper use of sink accessories.

Note: If the cut-out is adjusted to either overhang or set back from the sink rim, ensure there is enough surface area left to maintain a watertight seal. Fig. 1.5 shows the cut-out flush with the bowl radius.

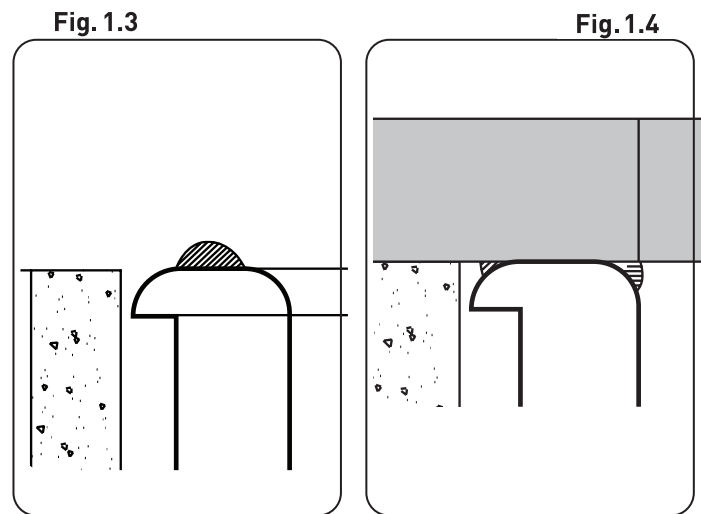
Please avoid over-tightening any fittings, as this may cause the surface of your ceramic sink to crack.

1. Install the tap onto the worktop following the manufacturer's instructions. Make sure the tap is securely fixed, as later access might be blocked by the sink or plumbing. It's advisable to use long flexible tap connectors for easier installation.
2. Install the basket strainer waste kit(s) and overflow as per the manufacturer's guidelines.
3. Clean the perimeter of the cut-out on the underside of the worktop and the upper edge of the sink using a degreasing cleaning solvent. Allow both surfaces to dry thoroughly.
4. Apply a continuous and generous bead of high-quality silicone around the rim of the sink (refer to Fig. 1.3 or Fig. 1.6 for guidance).
5. For different installation types;
 - 6.1 For **Undermount installation**, carefully flip the sink over and position it into the cut-out, ensuring that it sits flush against the underside of the worktop.
 - 6.2 For **Semi-reveal installation**, place the sink so that the rim is slightly above the worktop surface, allowing for a partial reveal that not only enhances accessibility but also facilitates the use of accessories such as cutting boards and colanders.
 - 6.3 For **Inset installation**, simply drop the sink into the cutout, ensuring it is level and flush with the worktop. Take care to align the sink properly, checking that it is evenly spaced on all sides to achieve a clean and professional finish.
6. Attach the sink connecting pipework to the waste kit(s) according to the manufacturer's instructions.

Where feasible, apply a second and third bead of silicone around both the inside and outside of the connection between the sink and worktop. Any excess silicone can be removed with a commercial silicone cleaner. Allow the silicone to dry completely.

Undermount Installation

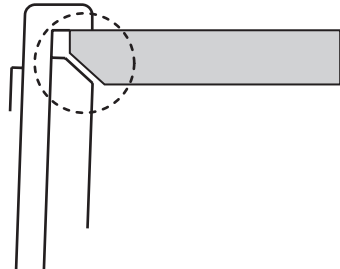
- To ensure perfect positioning of the product, the cutout templates is attached to the end of the document
- Please note, 1636, 1639 and 1686 can all be installed as Undermount
- The height of the shelf should be such that when the sink is placed on the shelf the top face rim of the sink is level with the underside face of the worktop, see (Fig.1.4) and (Fig. 1.5).



Inset Installation

- To achieve precise placement of the product, the cutout specifications are illustrated at the end of the document. 1636, 1639 and 1686 can all be installed as inset.
- When installing as an inset sink, a chamfer may need to be made on the underside of the worktop to accommodate the overflow body (Fig. 1.5).

Fig. 1.5



Applying the Silicon sealant

- Apply silicone sealant (not included) to the underside of the sink rim (Fig. 1.6).
- Flip the sink over and insert it into the prepared cut-out (Fig. 1.7).
- Clear away any excess sealing material or wipe off any surplus sealant.

Fig. 1.6

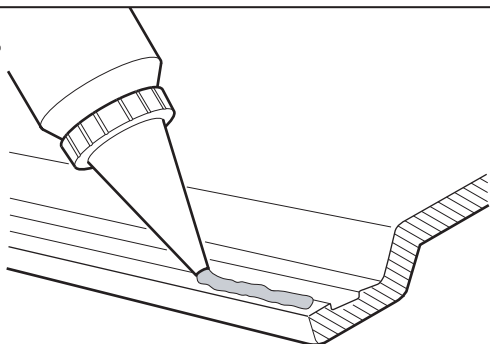
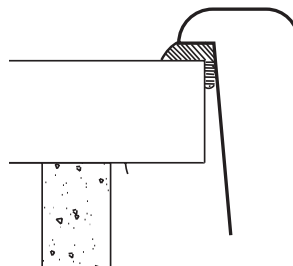


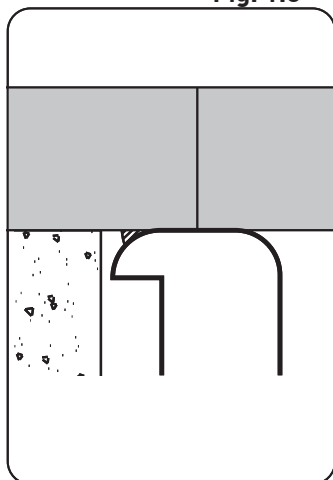
Fig. 1.7



Semi-Reveal Installation

- To achieve precise placement of the product, the cutout specifications are illustrated below. Only 1636 and 1639 sinks can be installed as semi-reveal.
- For semi-reveal installation, leave a 13mm reveal on each side to fit accessories like the cutting board and colander securely (Fig 1.8).

Fig. 1.8



After installation

1. Clean the sink using the attached care advice ready for use.
2. Check the sink is flat to the worktop, straight and level; pour a small amount of water onto the drainer (if applicable) to check for drainage.
3. Close the plug(s) in all bowls, fill the sink with water below the overflow and check the water does not leak through or around the waste(s).
4. Close the plug(s) in all bowls fill the sink with water above the overflow, check the water exits through the overflow and does not leak from the overflow system.
5. Open the plug(s) and let water drain from the bowls, check the connecting pipework does not leak.
6. If the sink is not to be used for a period after installation, cover the sink and tap to protect them from accidental damage during further surrounding installation work.
7. We recommend once fully set, the silicone seal should be checked for water tightness and rechecked periodically.

Care and Cleaning

To maintain the appearance of this product, ensure that it is regularly cleaned using only a clean, soft damp cloth. A solution of warm water and a mild liquid non-antibacterial detergent may be used where necessary, and then the product rinsed thoroughly and wiped dry. Any other cleaning action will invalidate your warranty.

No household or industrial chemicals should come into contact with this product to prevent damage.

To prevent staining or discolouration of the product always rinse the sink with water after use, if you live in a hard water area we suggest you also wipe the sink dry.

Do not cut, slice or chop directly onto the sink as you may mark the surface finish. Avoid the use of plastic washing up bowls as engrained grit on the bowl underside may mark the surface finish. Avoid impacting the product with sharp or heavy objects, such as knives, pans or cooking pots and also avoid contact with abrasives. No hot objects should be placed directly onto the sink surface. Avoid contact with cycles of very hot and cold substances.

For further care and maintenance advice on removing stubborn marks and more examples of objects or actions likely to artificially shorten the life of this product please visit our website.

